

## INDUSTRIAL CLEANING AND WASTE MANAGEMENT URANO HD SUPER



### URANO HD SUPER

**Colour:** outside black, inside red

**Temperature range:** -25° C + 60° C

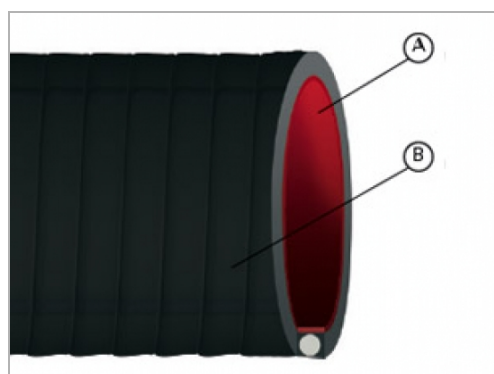
**Features:** PVC hose with a completely antiabrasive PU tube reinforced with an anti-shock rigid PVC spiral. Inside surface smooth, outside semi rigid. **Very strong with a PU inner layer of 2,2 mm. Excellent resistance to abrasion and vacuum, the best of its class.**

**Applications:** for suction and discharge of abrasives (slurry, sand, cement, grains, gravel).

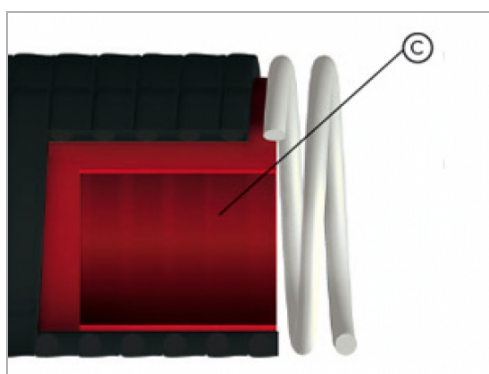
**Can be manufactured antistatic upon request.**

### Technical Data

Part Number	Inside Ø	Min. Wall Thickness	Max. Wall Thickness	Weight	Working Pressure	Bursting Pressure	Vacuum	bending	Roll Bending	Volume
	mm	mm	mm	g/m	bar	bar	m H2O	mm	m	m <sup>3</sup>
UH 01 076	76,2	5,6	7,2	2000	4,5	13,5	10	470	50	0,690
UH 01 102	102	7,0	9,1	3380	4,0	12	9,5	600	30	0,811
UH 01 127	127	7,2	9,4	4350	3,5	10,5	9,5	750	30	1,417
UH 01 152	152	9,2	12,0	6700	3,0	9	9,5	900	20	1,408



Rigid antishock in PVC spiral  
Superelastic PVC cover



PU antiabrasion innerlayer, resistant to microbes and hydrolysis 2,2 mm